

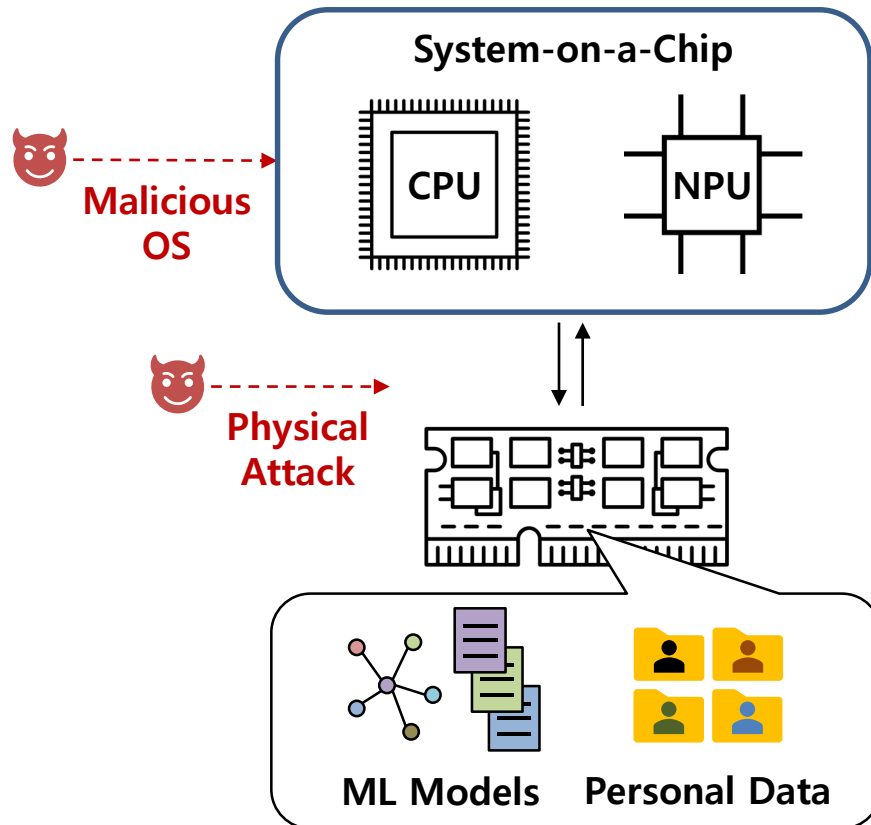
TNPU: Supporting Trusted Execution with Tree-less Integrity Protection for Neural Processing Unit

Sunho Lee, Jungwoo Kim, Seonjin Na,
Jongse Park, and Jaehyuk Huh

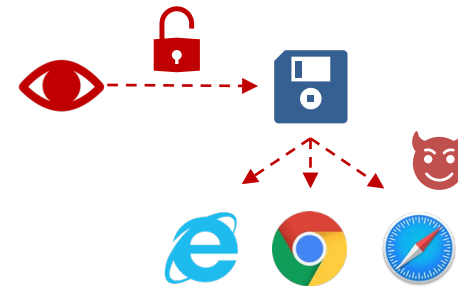


Vulnerabilities of integrated NPU

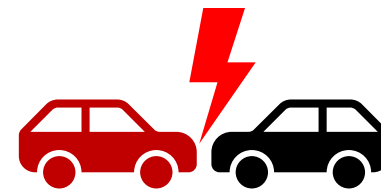
- NPU is widely used in the form of System-on-a-Chip.



Compromise Confidentiality

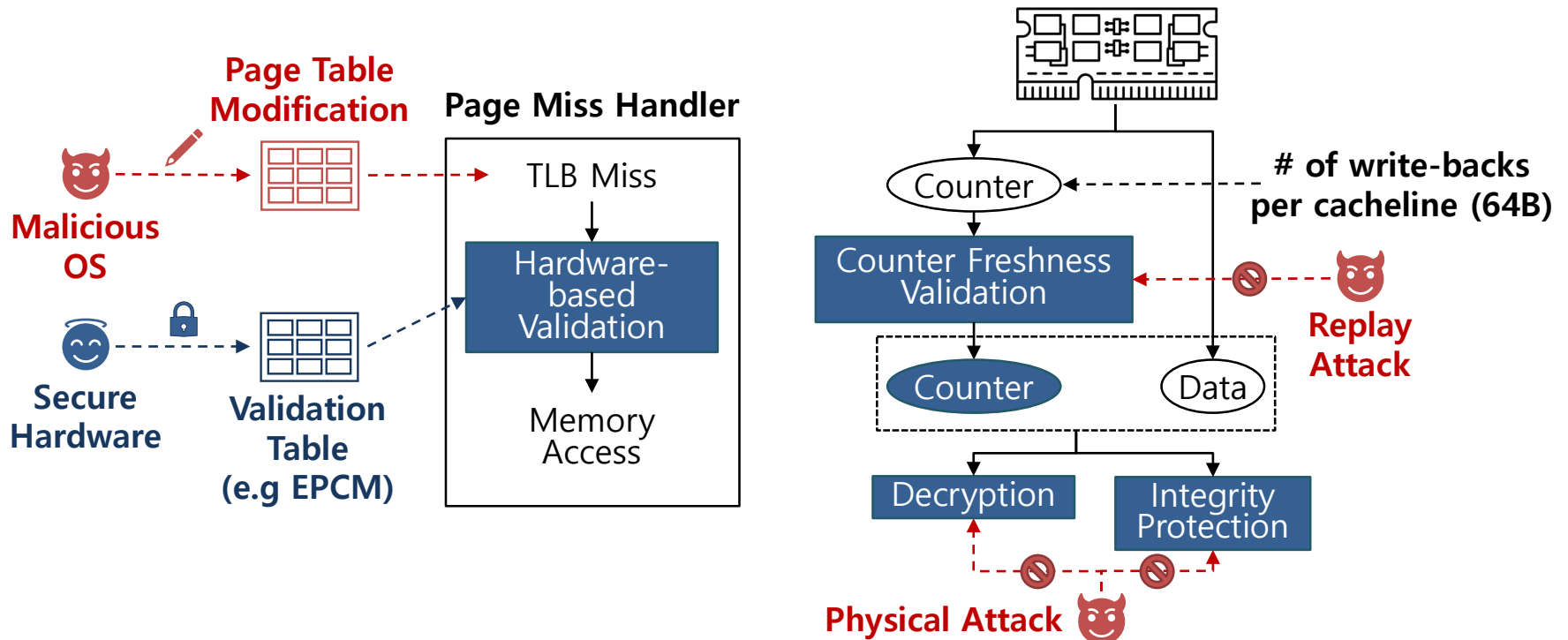


Compromise Integrity



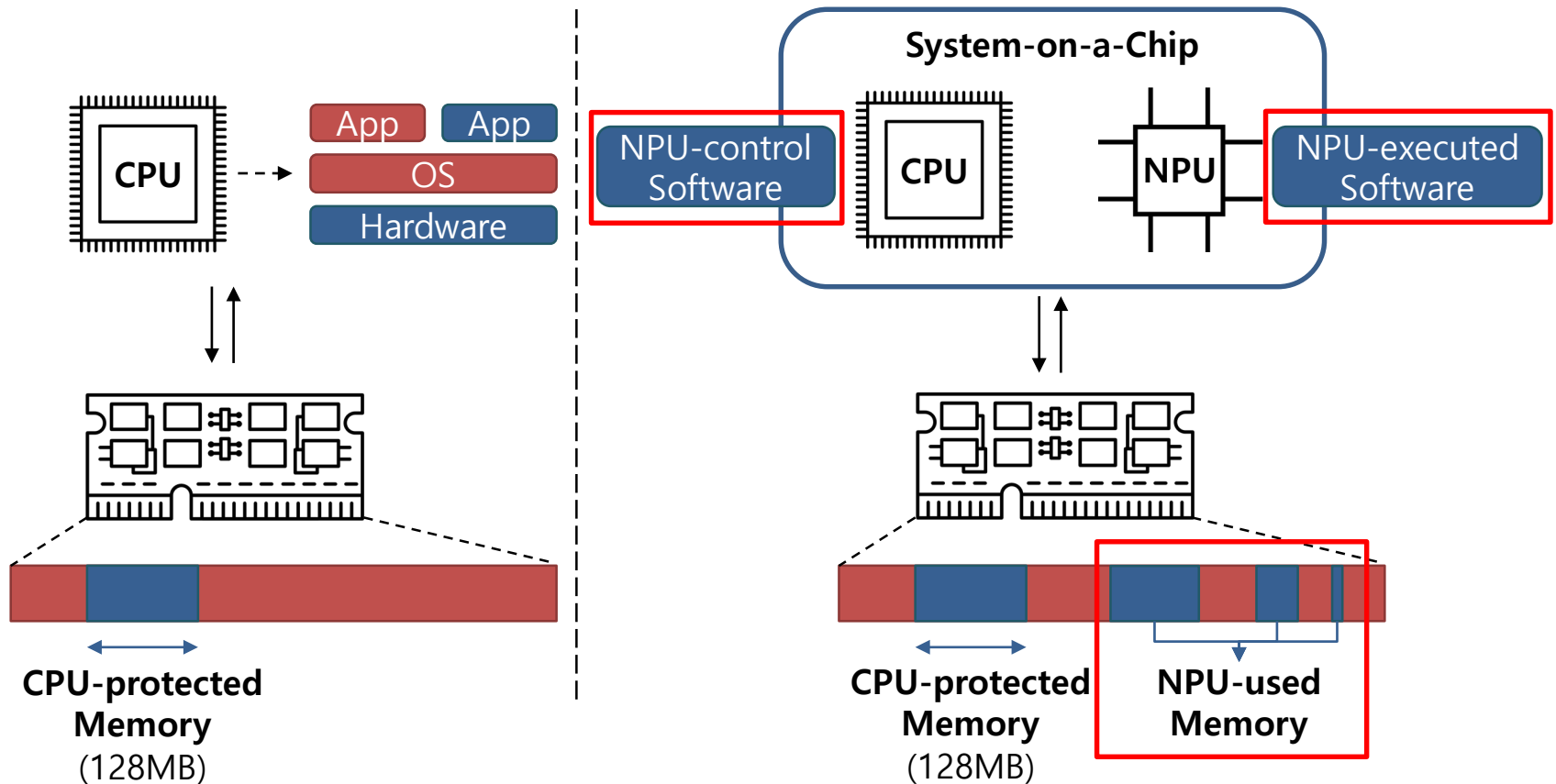
Trusted Execution Environment (CPU)

- Access control
- Counter-based memory protection



Trusted Execution Environment (NPU)

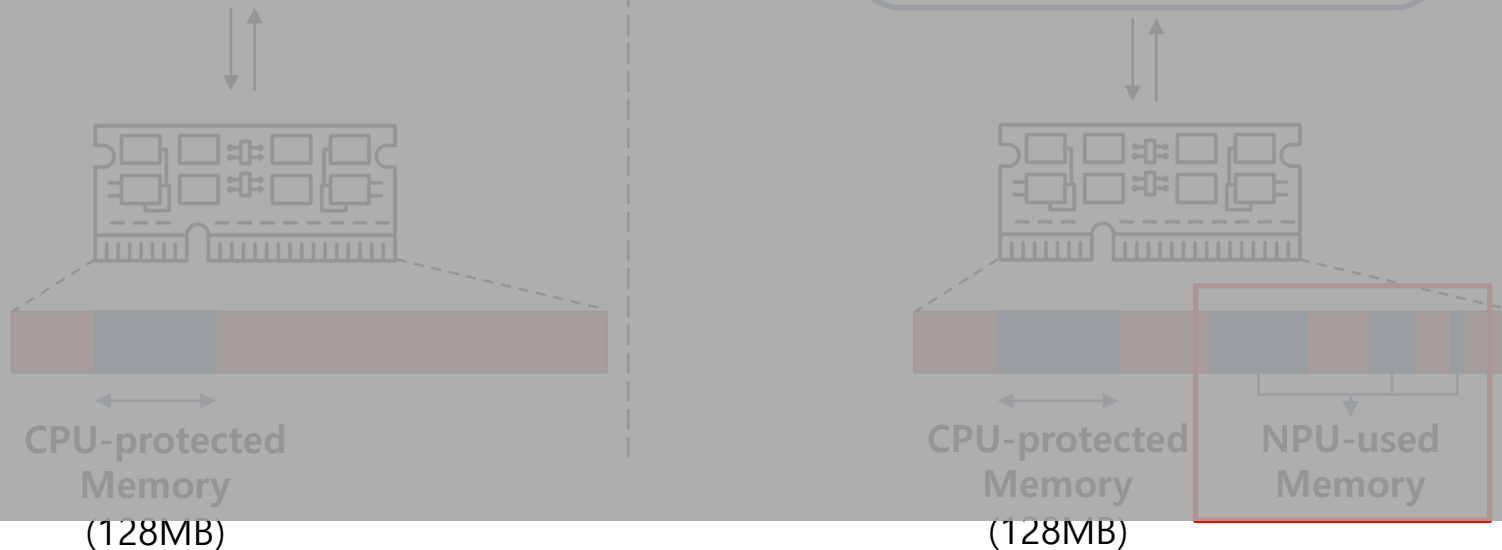
- CPU: On-chip hardware and related software
- TNPU: + NPU-related hardware/software



Trusted Execution Environment (NPU)

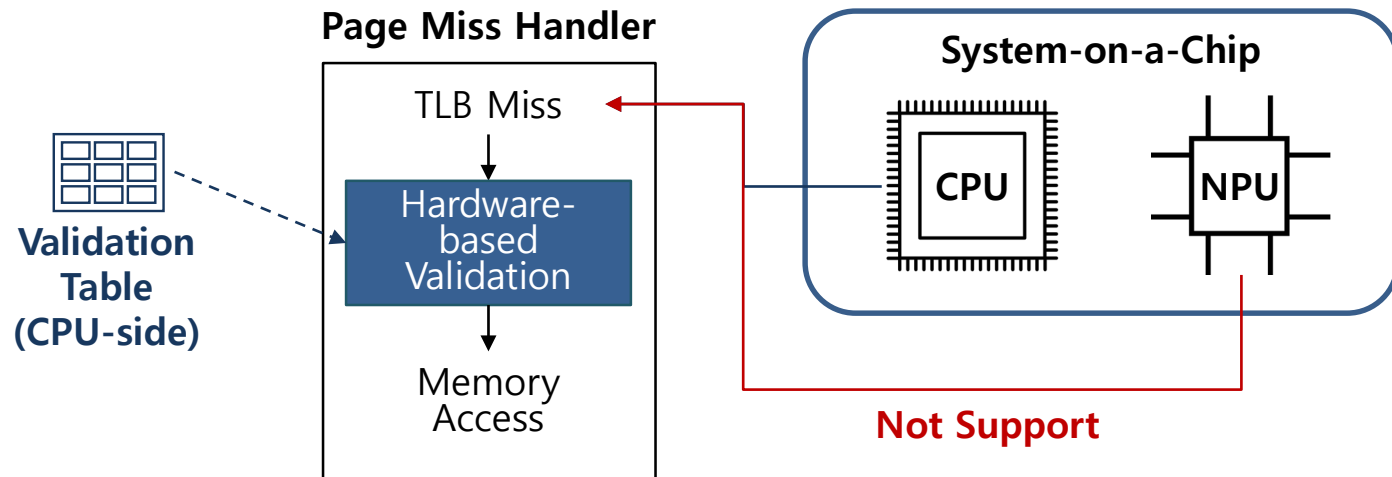
- CPU: On-chip hardware and related software
- TNPU: + NPU-related hardware/software

1) Access control, 2) Memory Protection for NPU



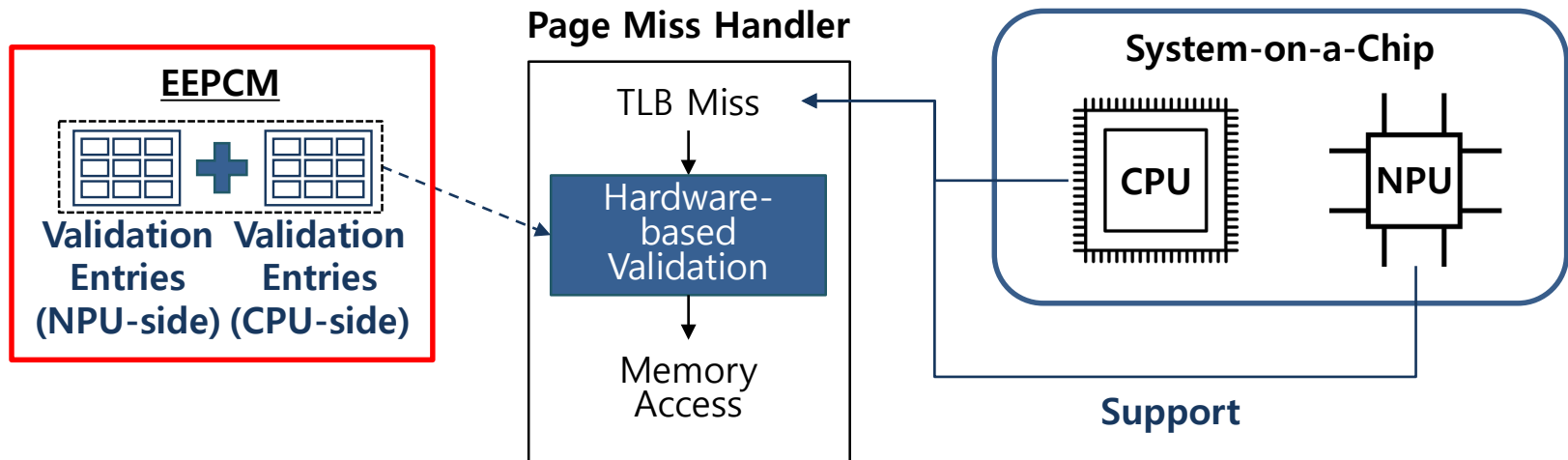
Validate Access from NPU-MMU

- Access control
 - CPU MMU: Traditional validation table
 - NPU IOMMU



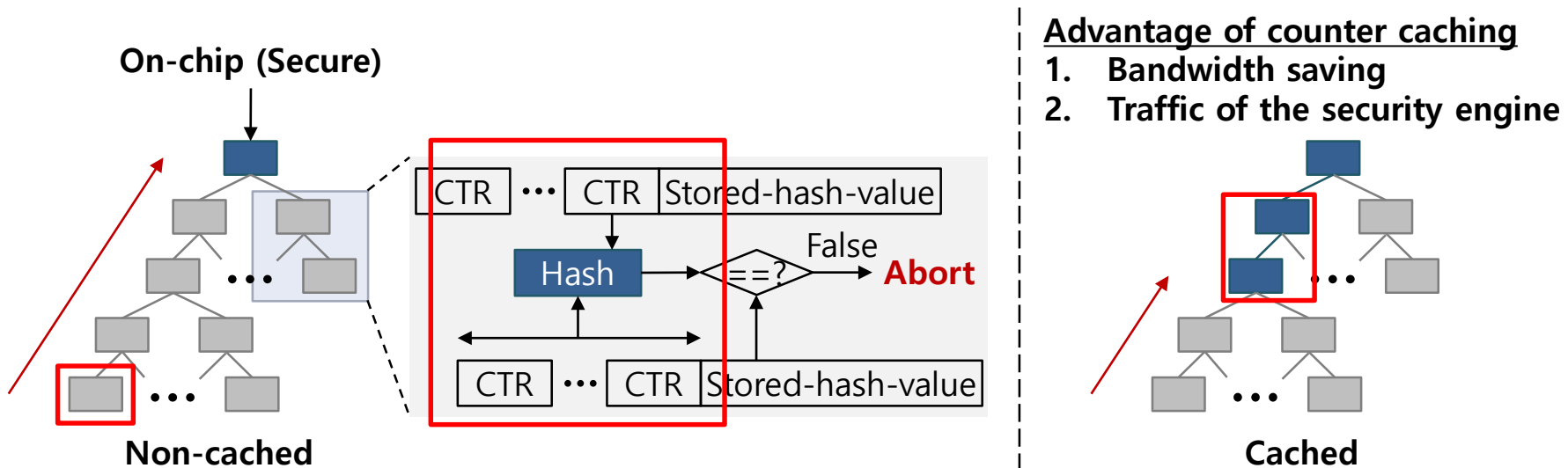
Validate Access from NPU

- Access control: **Extended validation table (EEPCM)**
 - CPU MMU: Traditional validation entries
 - NPU IOMMU: **Additional validation entries**



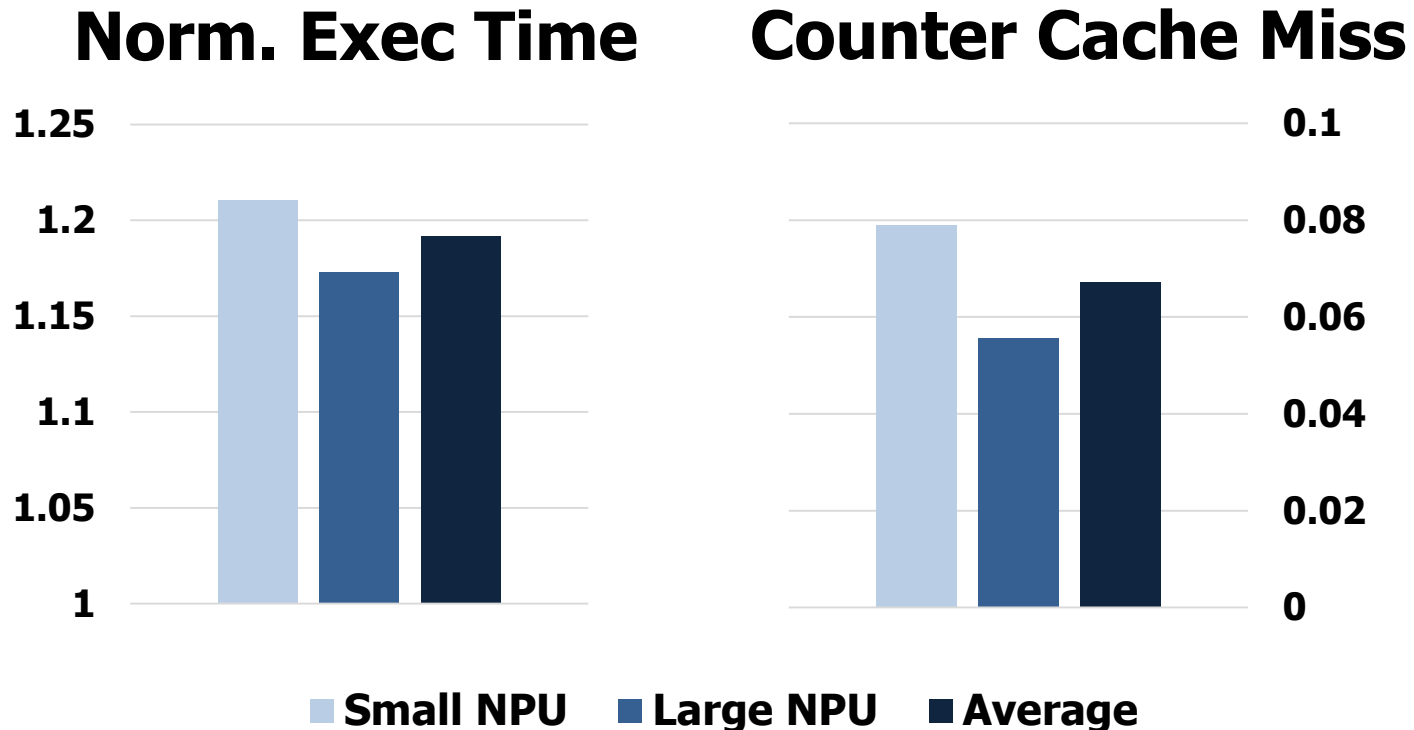
Naive Memory Protection to NPU

- Memory protection
 - Counter-based encryption & integrity protection
 - Counter Freshness Validation**



Naive Memory Protection to NPU

- Average **19.2%** performance degradation
- Reason: Counter-cache miss rate (**7.9%**)



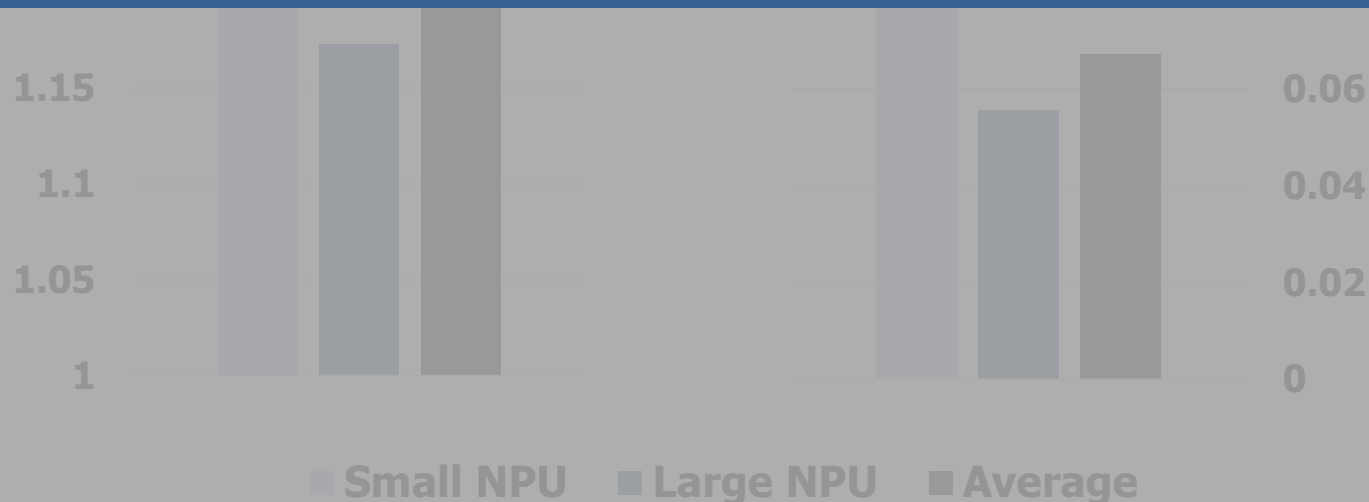
Naive Memory Protection to NPU

- Average 19.2% performance degradation
- Reason: Counter-cache miss rate (7.9%)

Norm. Exec Time

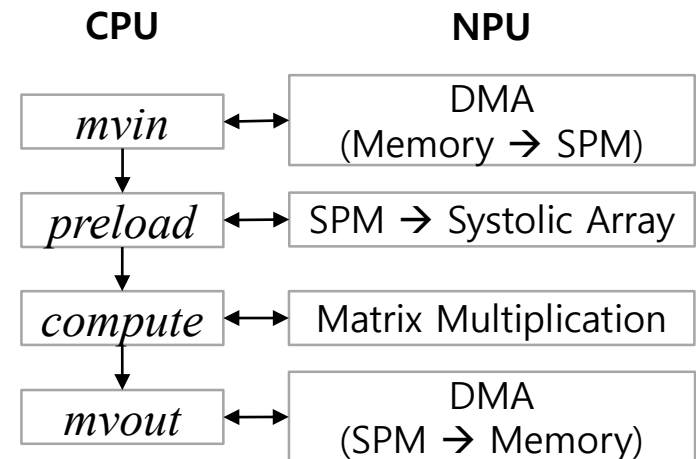
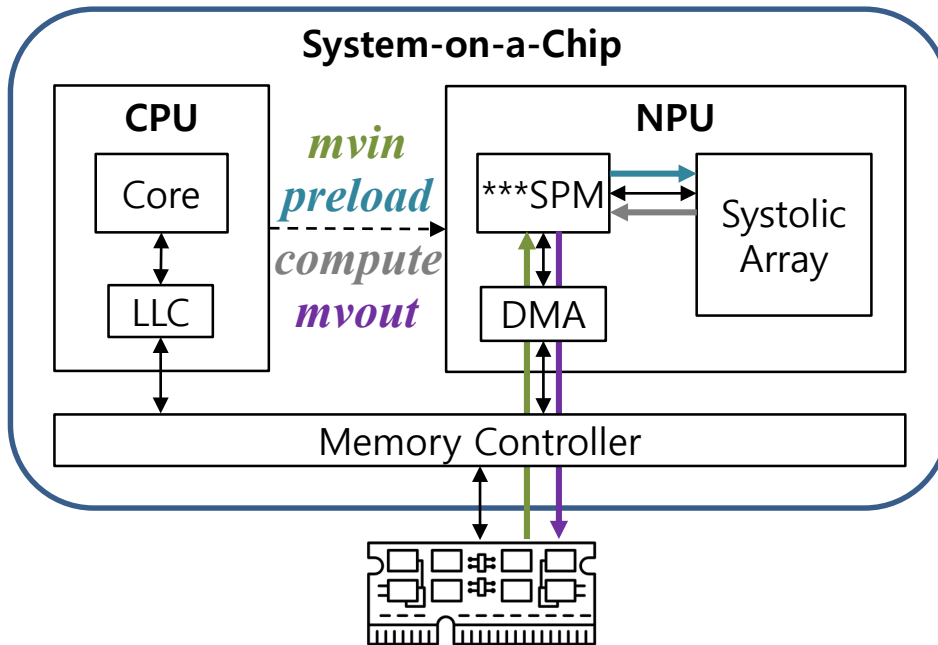
Counter Cache Miss

A novel memory protection technique for NPU is necessary!



NPU Execution Model

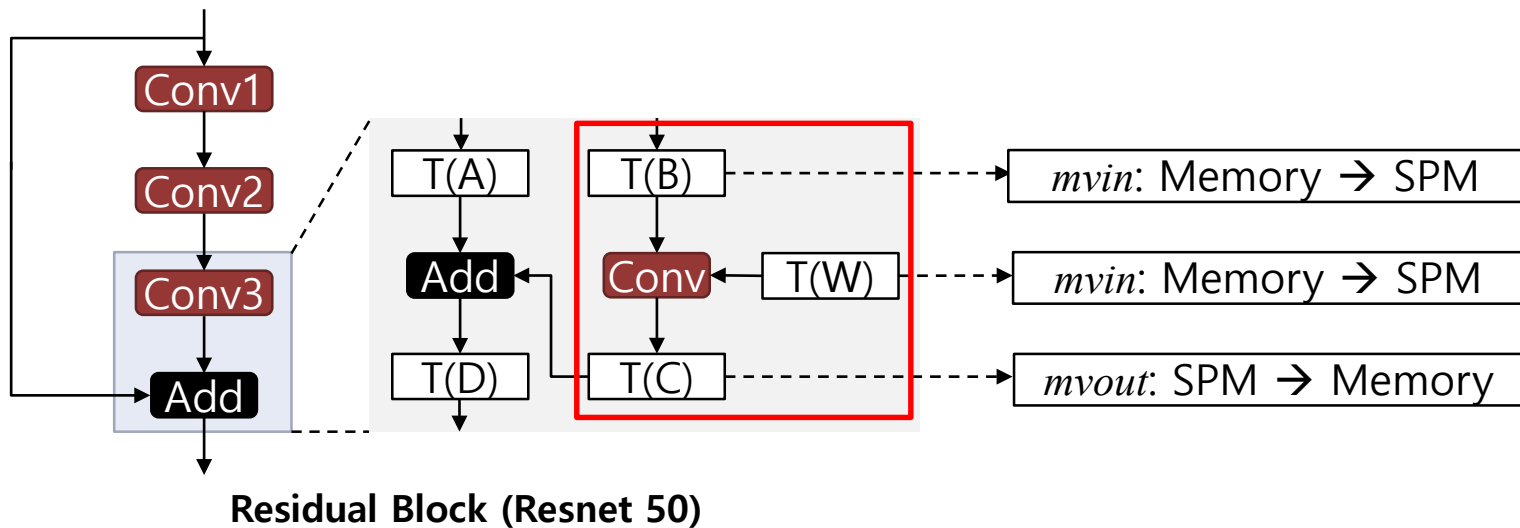
- Execution: $*mvin \rightarrow preload \rightarrow compute \rightarrow **mvout$
 - The **software** controls NPU data movement by commands



mvin*: move-in, *mvout*: move-out, ****SPM*: Scratchpad Memory

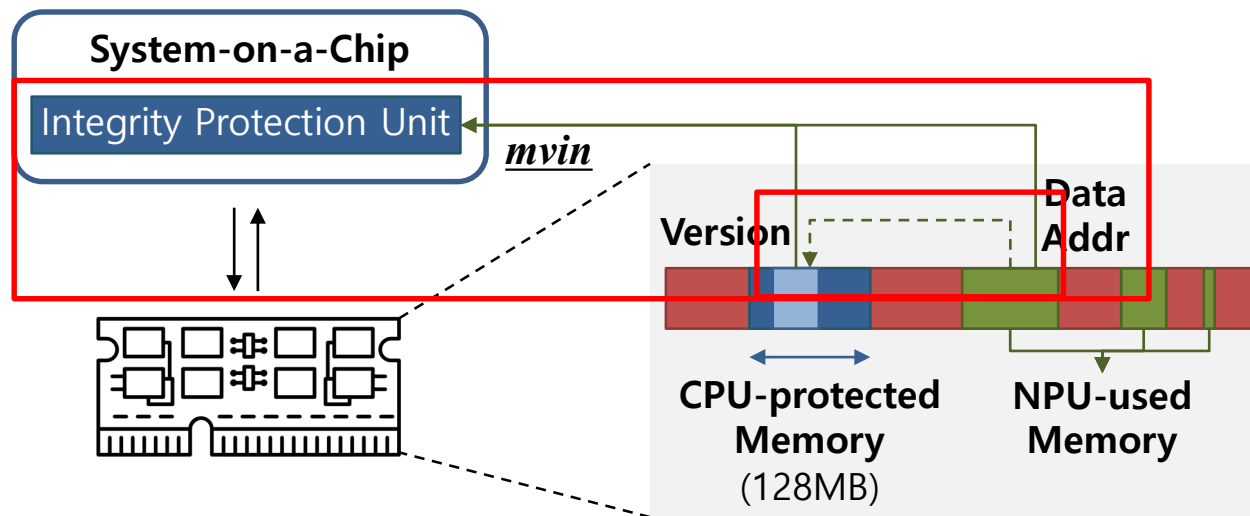
Tensor-based Computing

- Tensor-granular computation
 - **Per-tensor version number** is sufficient: Tensor-unit memory access



Tree-less Integrity Protection

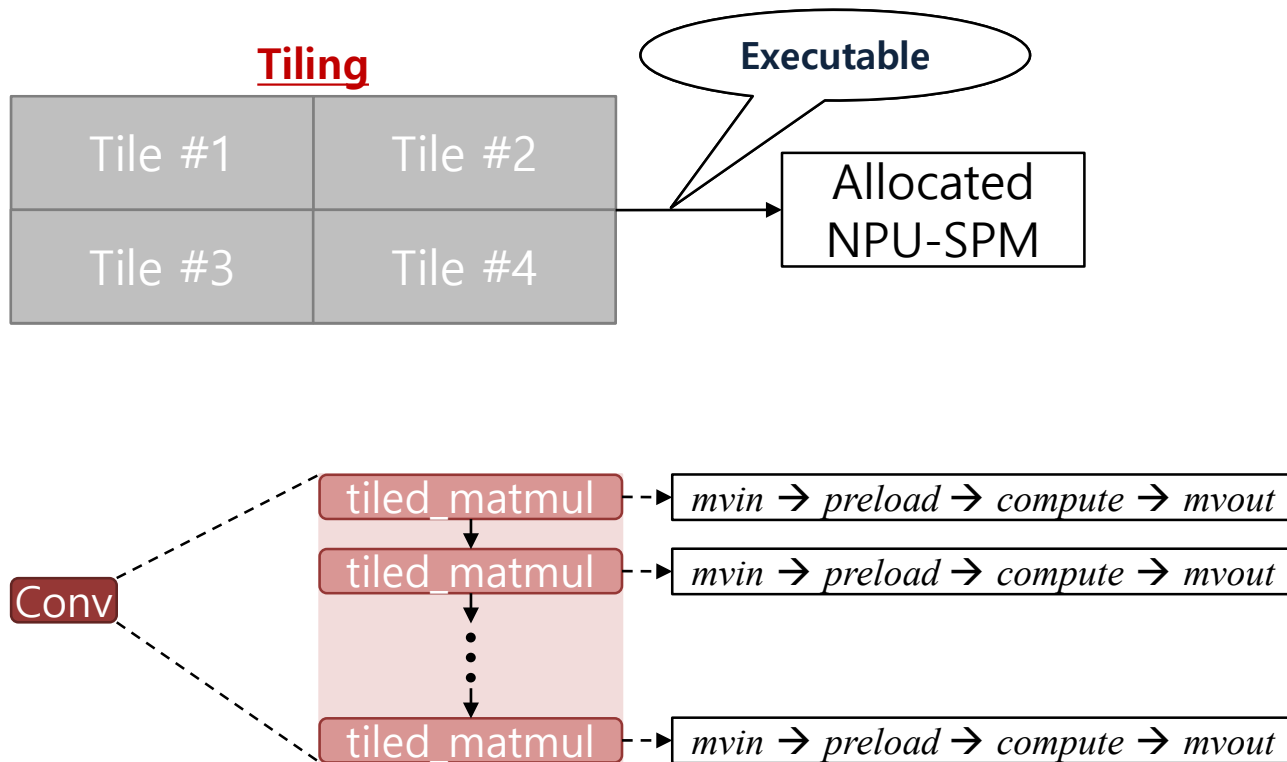
- Counter → **Version number** controlled by software
 - Security granularity: Cacheline → Tensor
 - Storage requirement: Only **0.14KB** on average



**Problem: NPU executes layer operation at once?
(i.e Many large tensors are not fitted into SPM)**

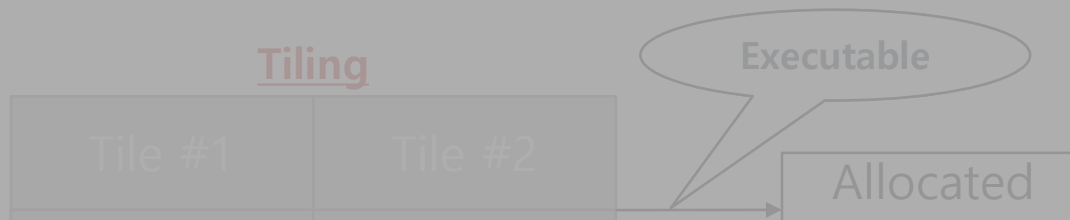
Challenge: Intra-layer Computing

- Tensor \rightarrow One or multiple tiles for intra-layer computing

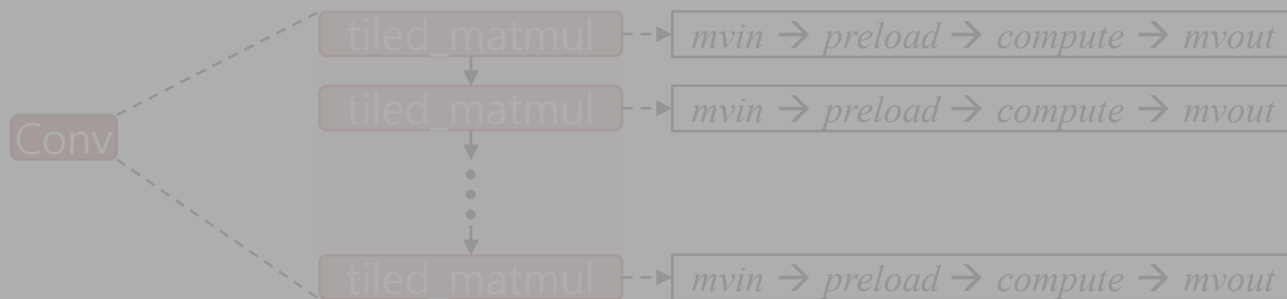


Challenge: Intra-layer Computing

- Tensor \rightarrow One or multiple tiles for intra-layer computing

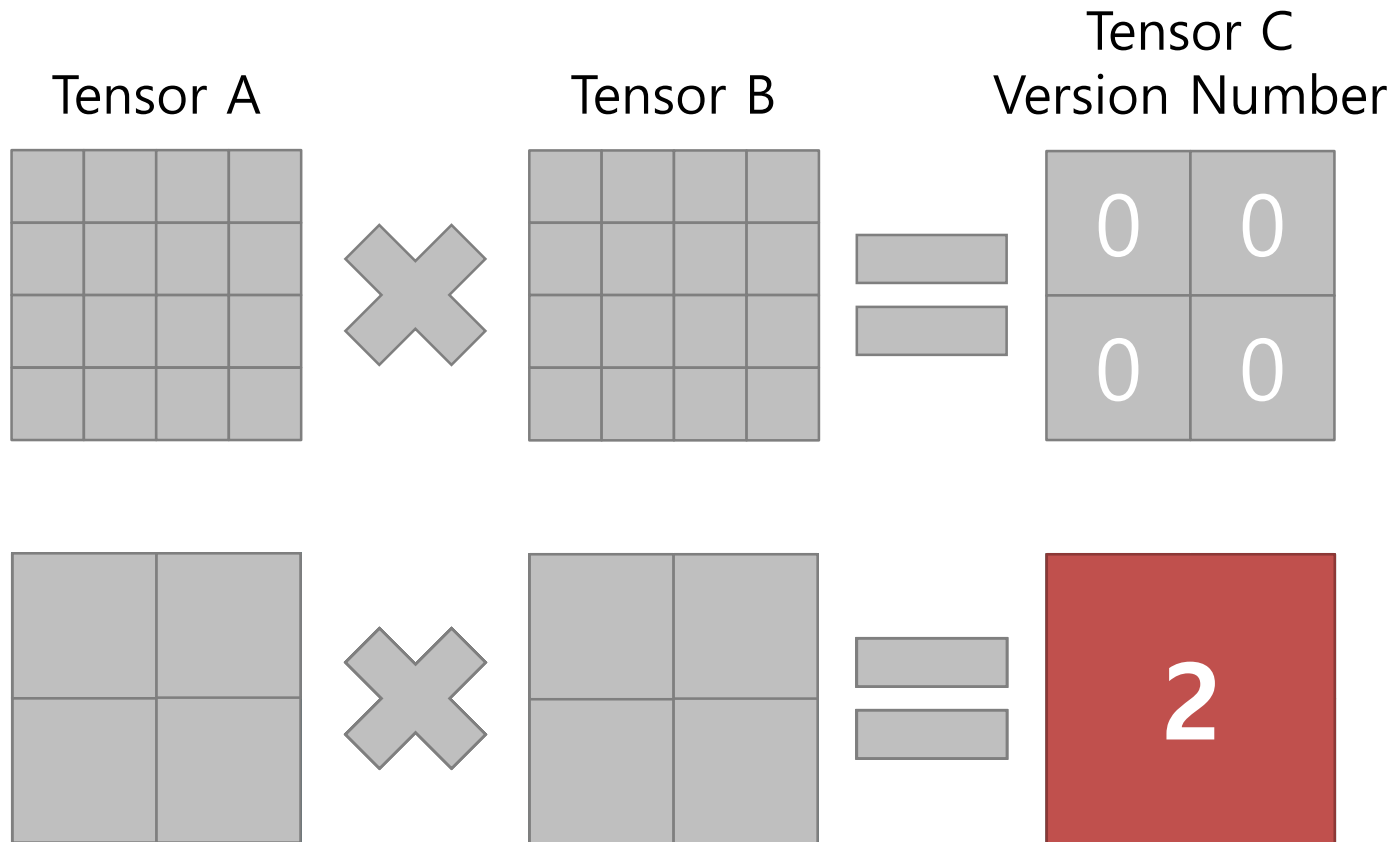


Tile-granular version number is necessary in intra-layer!



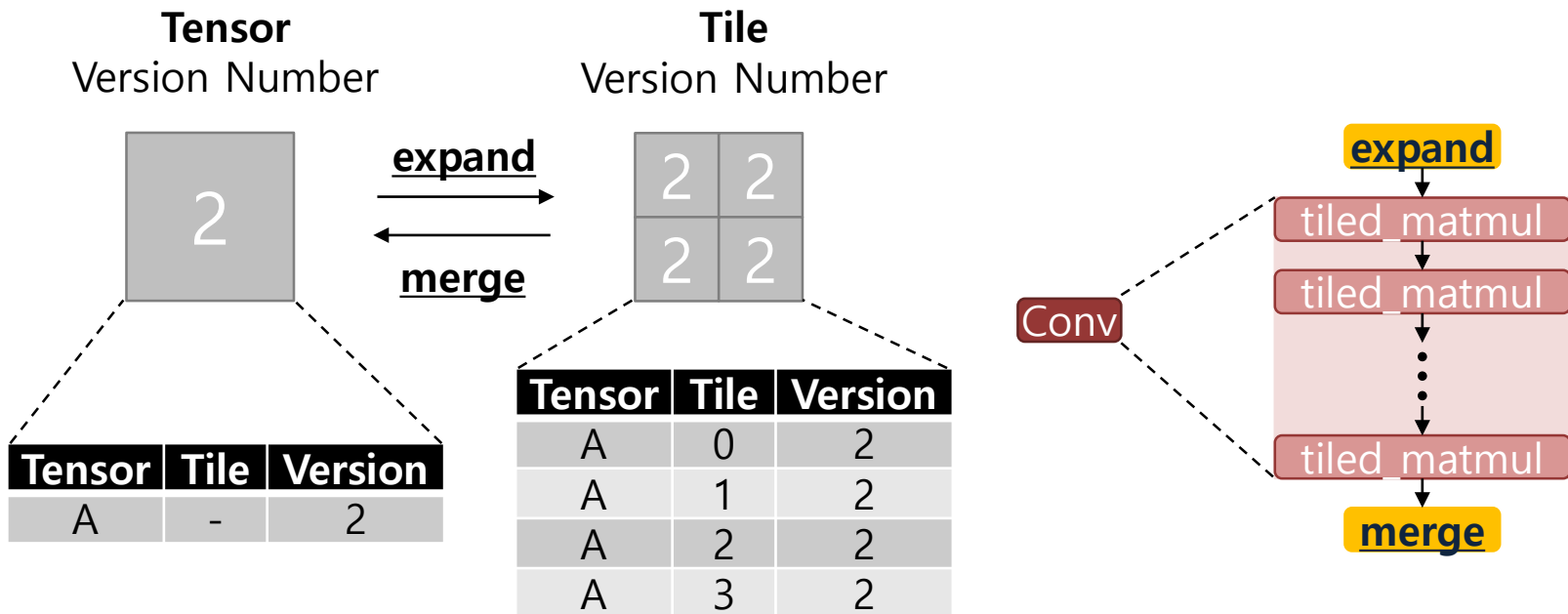
Tile-granular Version Number

- Tensor \rightarrow One or multiple tiles for intra-layer computing



Tensor/Tile Version Number

- Tensor/Tile version number
 - Granularity: Cacheline \rightarrow Tensor/Tile (Intra-layer)
 - Storage requirement: Only **1.3KB** on average
- expand, merge**: Granularity translation operation



Evaluation Environment

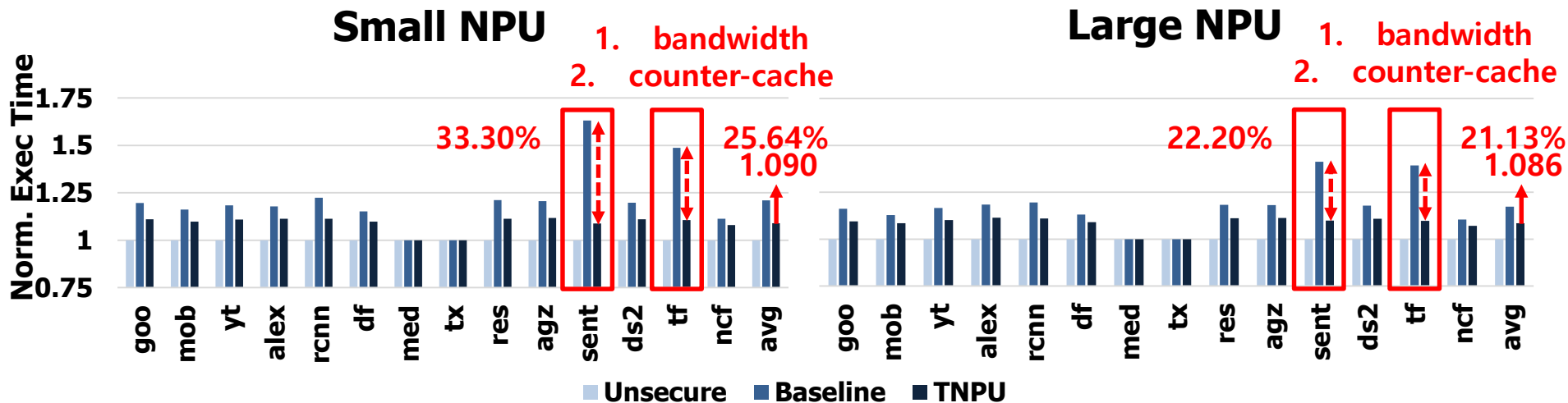
- Cycle-level simulation modified from *SCALE-Sim
- Two edge-level system-on-a-chip configurations
 - Samsung Exynos 990 (Small NPU), ARM Ethos N77 (Large NPU)
- Workloads: 14 models in MLPerf, DeepBench

	Small NPU (Samsung Exynos 990)	Large NPU (ARM Ethos N77)
PE	32 x 32	45 x 45
Bandwidth	11 GB/s (4 channels)	22 GB/s (4 channels)
Frequency	2.75 GHz (both processor/memory)	1 GHz (both processor/memory)
SPM	480KB in total	1MB in total
Precision	Float16	Float16

* A systematic methodology for characterizing scalability of DNN accelerators using SCALE-Sim (ISPASS 2020)

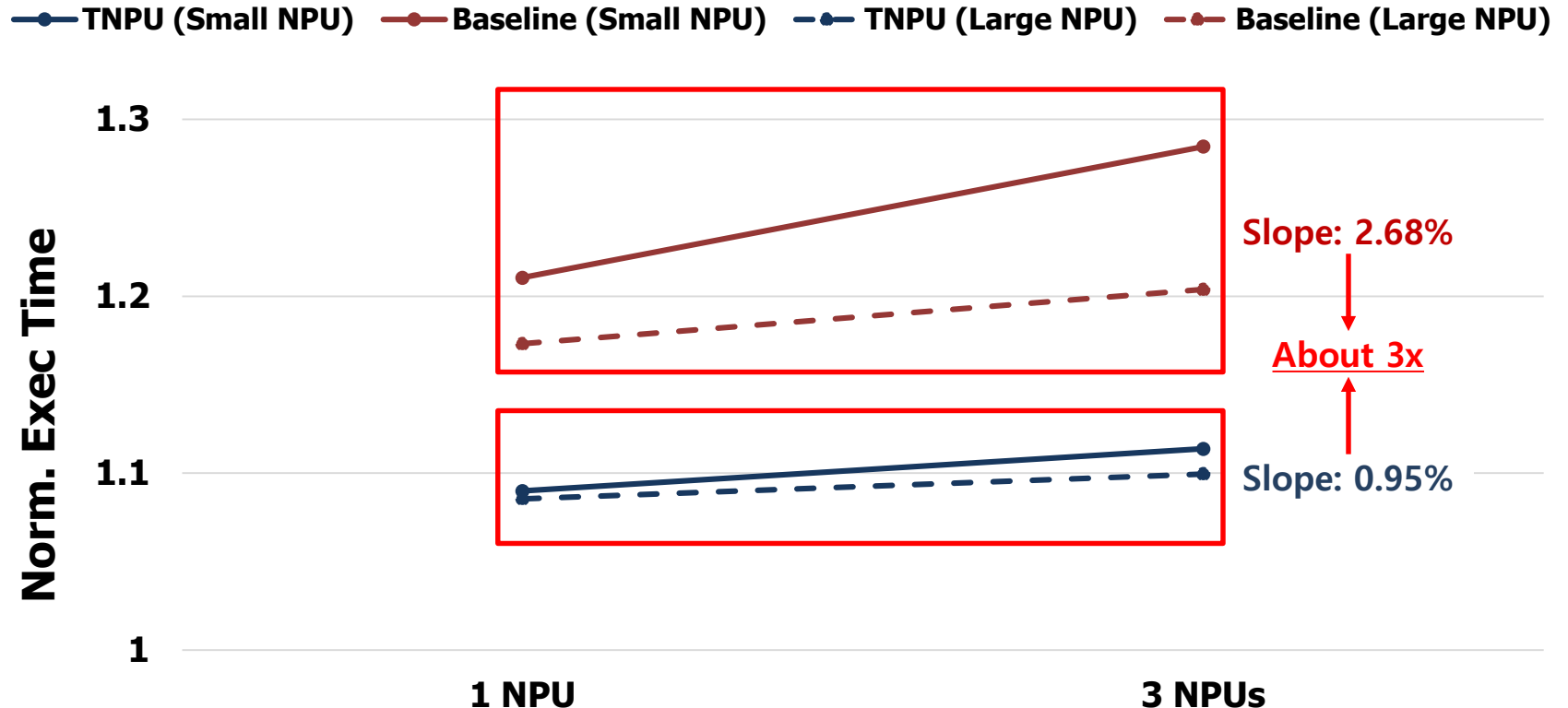
Evaluation Result (Single NPU)

- Performance improvement: **8.75%**
 - Data traffic reduction: **7.67%**
- Remaining performance degradation: **8.80%** (Comp. Unsecure)
 - Stored-hash-value (Message-authentication-code; MAC)



Evaluation Result (Multiple NPUs)

- Scalability: Slope (TNPU) < Slope (Baseline)
- Performance improvement: 8.75% → **11%**



Summary

- **Result**

- Trusted Execution environment for NPU
- Performance improvement: 8.75% (single), 11% (3-NPU)

- **Challenge**

- Counter tree overhead

- **Idea**

- Counter → Tensor/tile-granular version number

- **Further Work**

- Stored-hash-value (MAC) optimization

Thank you